



Heat Metering

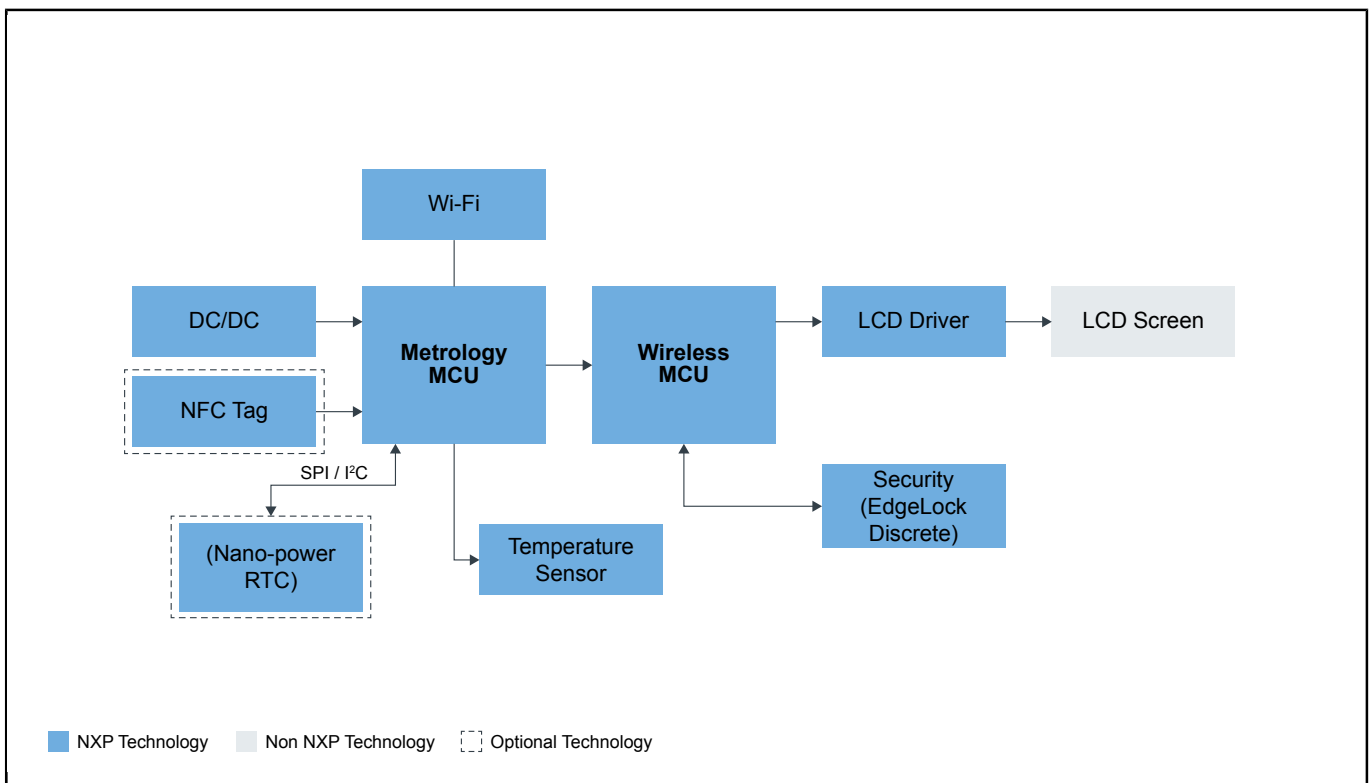
Last Updated: Oct 10, 2022

Modern buildings do a smart regulation of their energy consumption: whether is electricity, ventilation, or heat.

Basically, a heat meter consists of a metrology MCU to measure the inflow and outflow temperatures and volumetric flow of fluid through the pipe. A thermostat regulates the temperature of a system, room or building. Modern systems also compute calculations, are programmable, learn from the habits of users and react to their surroundings.

Our robust EdgeVerse [edge computing](#) portfolio provides MCU, sensor, wireless connectivity, interface solutions, and anti-tamper products for your heat metering applications.

Heat meter Block Diagram



Recommended Products for Heat meter	
MCU	<ul style="list-style-type: none"> • LPC5500 Arm Cortex-M33: LPC5500 Series: Arm® Cortex®-M33 based Microcontroller Series for Mass Market, Leveraging 40nm Embedded Flash Technology • K5x Measurement: Kinetis® K5x Measurement Microcontrollers (MCUs) based on Arm® Cortex®-M4 Core • KM1x: 50 MHz, Mainstream Precision Metrology Microcontrollers based on Arm® Cortex®-M0+ • i.MX RT1020 Crossover MCU with Arm® Cortex®-M7 Core
Wireless Connectivity MCU	<ul style="list-style-type: none"> • QN9090/30: Bluetooth Low-Energy MCU with Arm®Cortex®-M4 CPU, Energy Efficiency, Analog and Digital Peripherals and NFC Tag Option • KW41Z: Kinetis® KW41Z-2.4 GHz Dual Mode: Bluetooth® Low Energy and 802.15.4 Wireless Radio Microcontroller (MCU) based on Arm® Cortex®-M0+ Core • JN5189/88 (T): High-Performance and Ultra-Low-Power MCUs for Zigbee® and Thread with Built-In NFC Option
LCD Driver	<ul style="list-style-type: none"> • PCF85133U: Universal LCD Driver for Low Multiplex Rates
DC-DC Solutions	<ul style="list-style-type: none"> • Integrated Switching Regulators: Integrated Switching Regulators
Security (EdgeLock Discrete)	<ul style="list-style-type: none"> • EdgeLock® SE050: Plug & Trust Secure Element Family – Enhanced IoT security with high flexibility
NFC Tag	<ul style="list-style-type: none"> • NTAG I°C Plus 2K: NFC Forum Type 2 Tag with I²C Interface
Temperature Sensor	<ul style="list-style-type: none"> • LM75B: Digital Temperature Sensor And Thermal Watchdog • PCT2202UK: Ultra-Low-Power, 1.8 V, 1 Deg. C Accuracy, Digital Temperature Sensor with I²C-Bus Interface
Wi-Fi	<ul style="list-style-type: none"> • 88W8977: 2.4/5 GHz Dual-Band 1x1 Wi-Fi® 4 (802.11n) + Bluetooth® 5.2 Solution
RTC	<ul style="list-style-type: none"> • PCF2131: Nano-Power Highly Accurate RTC with Integrated Quartz Crystal
RTC	<ul style="list-style-type: none"> • PCF2131: Nano-Power Highly Accurate RTC with Integrated Quartz Crystal

View our complete solution for [Heat Metering](#).

Note: The information on this document is subject to change without notice.

www.nxp.com

NXP and the NXP logo are trademarks of NXP B.V. All other product or service names are the property of their respective owners. The related technology may be protected by any or all of patents, copyrights, designs and trade secrets. All rights reserved. © 2022 NXP B.V.