



Layerscape LS2088A Reference Design Board

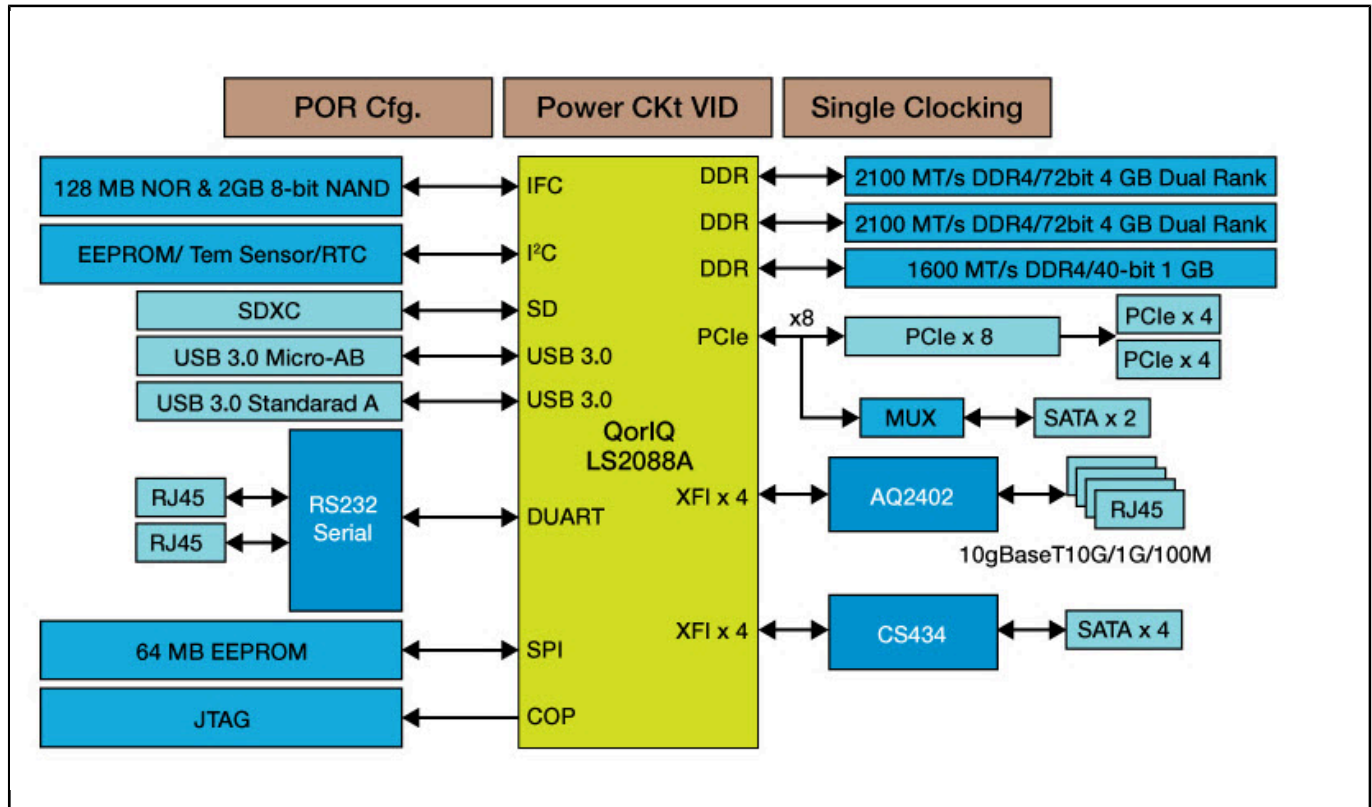
LS2088A-RDB

Last Updated: Jul 29, 2022

The LS2088A reference design board provides a comprehensive platform that enables design and evaluation of the product (LS2088A processor). This RDB comes pre-loaded with a board support package (BSP) based on a standard Linux kernel.

- Enables network intelligence with the next generation Datapath (DPPA2) which provides differentiated offload and a rich set of IO
- Simplifies programming
- Delivers unprecedented efficiency and new virtualized networks
- Supports designs in enterprise SDN switching and routing, cloud data center switching, wireless cell site routing, as well as many control-based applications like control plane functions for branch routers, chassis switches, firewalls and WAN optimization controllers

Layerscape LS2088A Block Diagram



View additional information for [Layerscape LS2088A Reference Design Board](#).

Note: The information on this document is subject to change without notice.

www.nxp.com

NXP and the NXP logo are trademarks of NXP B.V. All other product or service names are the property of their respective owners. The related technology may be protected by any or all of patents, copyrights, designs and trade secrets. All rights reserved. © 2022 NXP B.V.