



H-Bridge, Brushed DC Motor Driver, 2-15 V, 3.8 A, 200 kHz

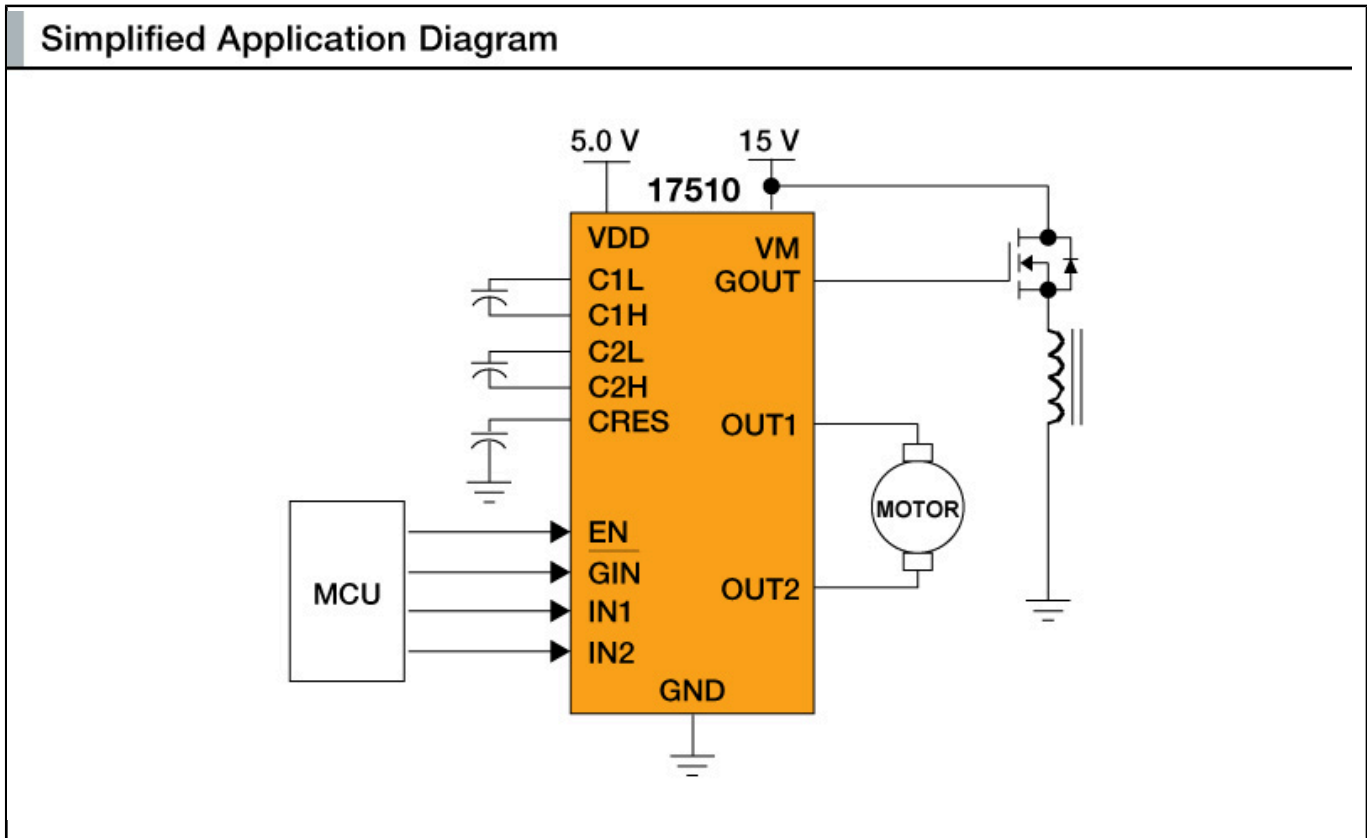
MPC17510

Last Updated: Jul 8, 2022

The NXP® MPC17510 is a monolithic H-Bridge motor driver that is ideal for portable electronic applications to control small Brush DC-motors such as digital still and single lens cameras.

- 2 V to 15 V H-Bridge motor driver with enable and tri-state bridge control via a parallel MCU interface
- The IC has low ON-resistance of 0.55 Ohm (max.) and the drivers can be PWM-ed at 200 kHz control frequency
- Contains an integrated charge pump and level shifter (for gate drive voltages), in addition to integrated shoot through current protection and undervoltage circuit detector to avoid malfunction
- The MPC17510 can control 4 output modes: Forward, Reverse, Brake, Tri-state (Open)

H-Bridge, Brushed DC Motor Driver, 2-15V, 3.8A, 200kHz Block Diagram



View additional information for [H-Bridge, Brushed DC Motor Driver, 2-15 V, 3.8 A, 200 kHz](#).

Note: The information on this document is subject to change without notice.

www.nxp.com

NXP and the NXP logo are trademarks of NXP B.V. All other product or service names are the property of their respective owners. The related technology may be protected by any or all of patents, copyrights, designs and trade secrets. All rights reserved. © 2022 NXP B.V.