



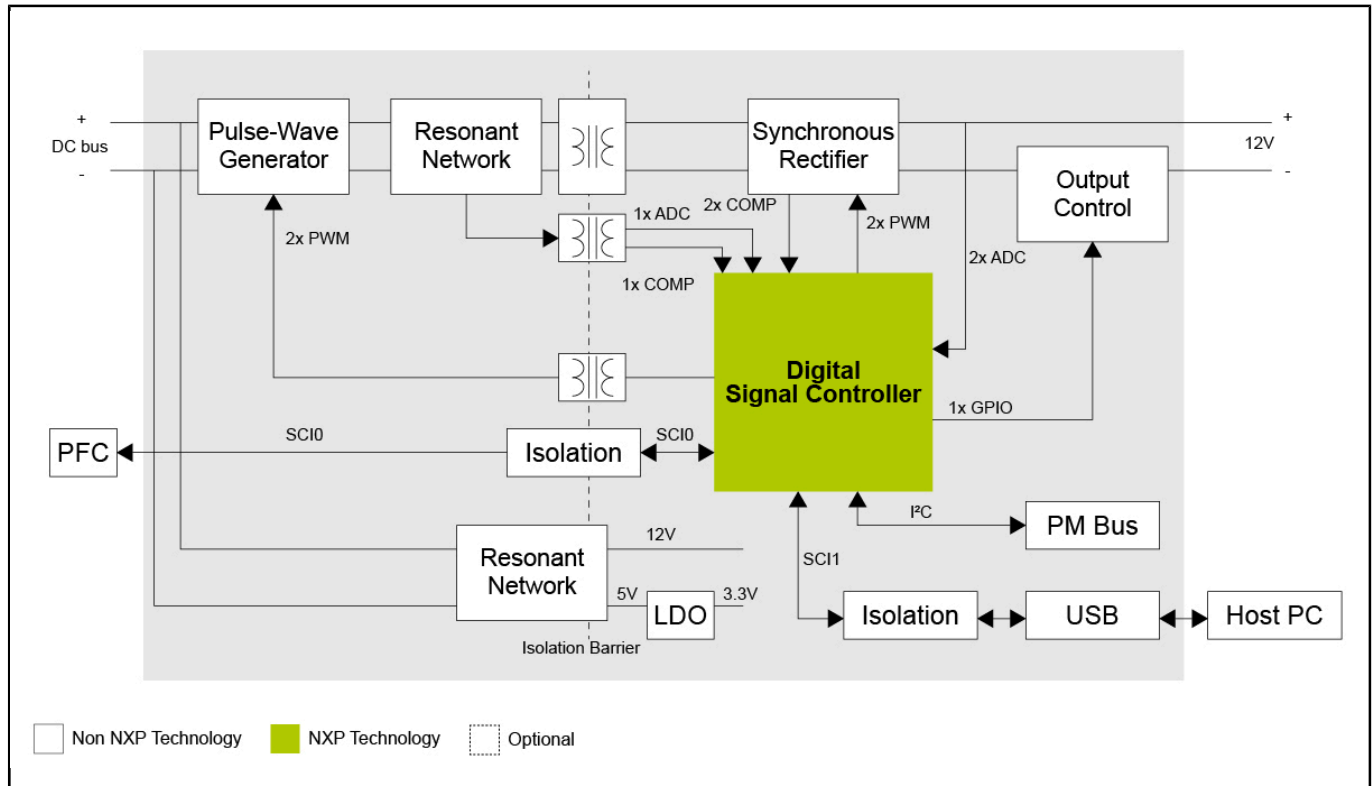
# LLC Resonant Converter with Sync Rectifier

## RDLLC56F82748

Last Updated: Nov 15, 2022

This reference design demonstrates the implementation of a LLC resonant converter using MC56F83783, MC56F81xxx or MC56F82748 digital signal controllers (DSC).

## LLC Resonant Converter Block Diagram



View additional information for [LLC Resonant Converter with Sync Rectifier](#).

**Note:** The information on this document is subject to change without notice.

[www.nxp.com](http://www.nxp.com)

NXP and the NXP logo are trademarks of NXP B.V. All other product or service names are the property of their respective owners. The related technology may be protected by any or all of patents, copyrights, designs and trade secrets. All rights reserved. © 2023 NXP B.V.