



Voice Intelligent Technology

VOICE-INTELLIGENT-TECHNOLOGY

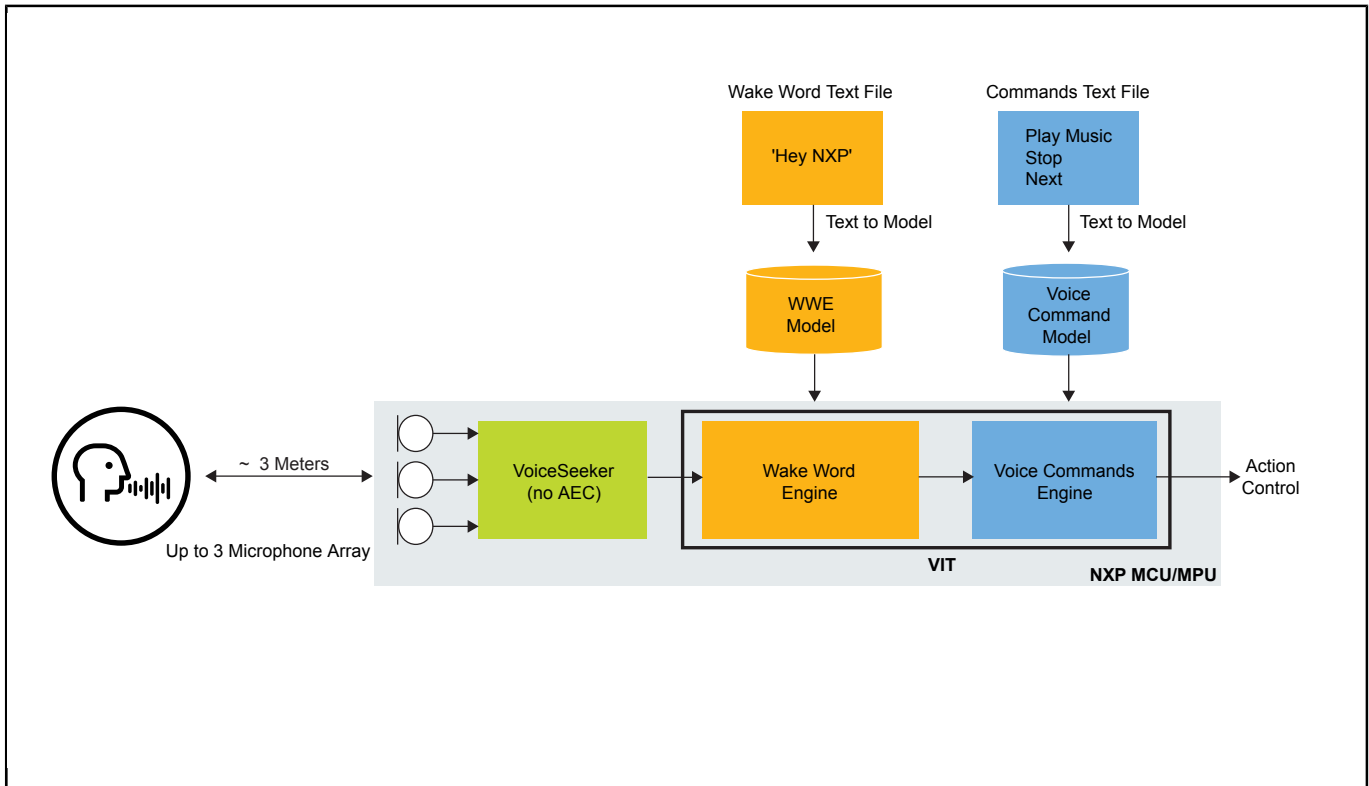
Last Updated: Mar 2, 2023

NXP's voice intelligent technology (VIT) library provides voice UI enablement with always-on wake word detection and local commands. It is based on state-of-the-art deep learning and speech recognition technologies and provides a complete audio front end / wake word / voice commands solution. VIT is available royalty-free on several platforms: including those based on Arm® Cortex®-M7, M33 or A-53 Cadence Xtensa® HiFi 4 and Fusion F1 cores.

The VIT library is a free, fully comprehensive voice control software package for use with supported NXP devices and is delivered as a ready-to-use library in the [MCUXpresso SDK](#) or [Linux BSP](#). VIT enables customer-defined wake word and commands using [online tools](#).

NXP's VIT is well-supported and free-to-deploy to developers looking for a shorter time to market for voice control applications.

Voice Intelligent Technology Overview Block Diagram



View additional information for [Voice Intelligent Technology](#).

Note: The information on this document is subject to change without notice.

www.nxp.com

NXP and the NXP logo are trademarks of NXP B.V. All other product or service names are the property of their respective owners. The related technology may be protected by any or all of patents, copyrights, designs and trade secrets. All rights reserved. © 2023 NXP B.V.